

Cutsheet for LC80FX & LC65FX

High Performance In-Wall/In-Ceiling Loudspeakers

Timber-matched to Polk Audio's LCi-Series High Performance Loudspeakers, the LC65FX and LC80FX make the ideal In-wall and in-ceiling surround speakers respectively. LCiFX surround speakers have a switchable "Solid" and "Diffuse" imaging feature to create the surround effect you desire. Paintable, powder-coated aluminum grilles and flanges enable these speakers to virtually disappear in your room. Rust-resistant hardware and durable, moisture resistant materials ensure long-term reliability. Both LCiFX surround models install easily, and the LC65FX uses the LC65's preconstruction bracket and performance enclosure.

LC80FX

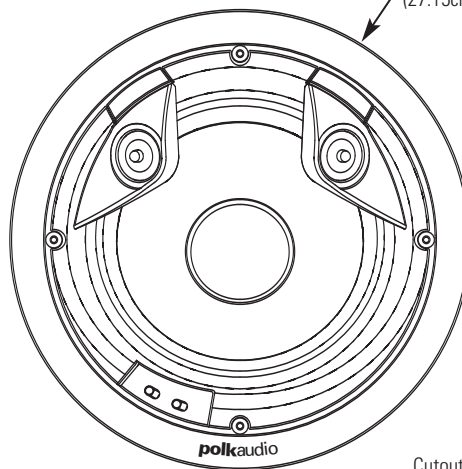
Hardware (included)

- Two LC80FX Speakers
- Two Speaker Mounting Templates
- Two Paint Masks
- One Grille (perforated)
- Logo Badge
- LC80FX Manual
- Registration Card

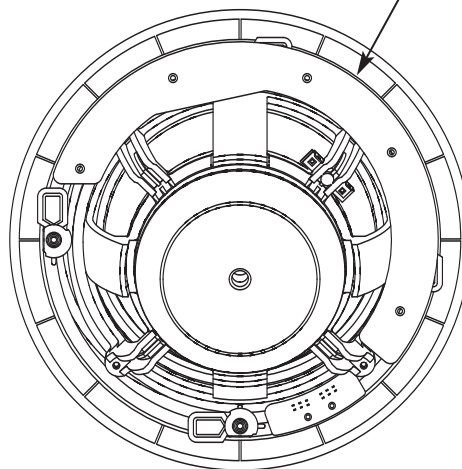
Important Note:

If anything is missing or damaged, or if your LC80FX speaker fails to operate, notify Polk Audio Installer Support Services immediately at 800-377-7655. Hours: Mon.-Fri., 9am-5:30pm EST.

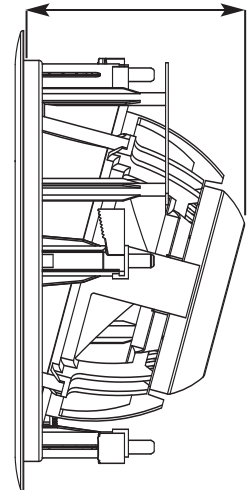
Overall Diameter
10-11/16"
(27.15cm)



Cutout Diameter
9-3/8"
(24cm)



Overall Depth
5-5/16" (13.5cm)



Mounting Depth
(Assumes 1/2" [12.7mm] drywall)
4-5/8" (11.75cm)

LC80FX Dimensions

Overall Diameter	10-11/16" (27.15cm)
Cutout Diameter	9-3/8" (24cm)
Overall Depth	5-5/16" (13.5cm)
Mounting Depth	4-5/8" (11.75cm) with 1/2" of drywall

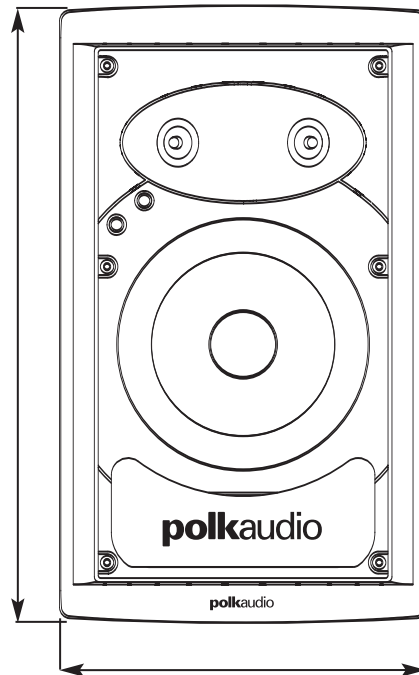
Available Finish: Paintable White

LC65Fx

Hardware (included)

- Two LC65Fx Speakers
- Two Speaker Mounting Templates
- Two Paint Masks
- One Grille (perforated)
- Logo Badge
- LC65Fx Manual
- Registration Card

Important Note: If anything is missing or damaged, or if your LC65Fx speaker fails to operate, notify Polk Audio Installer Support Services immediately at 800-377-7655. Hours: Mon.-Fri., 9am-5:30pm EST.

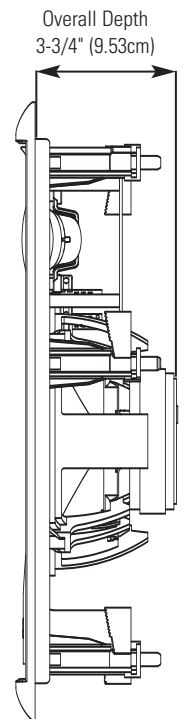


Overall Height
14-5/16" (36.4cm)

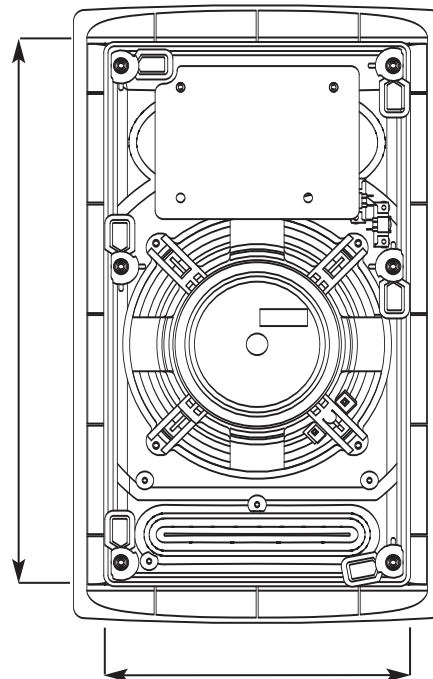
Overall Width
8-1/2" (21.59cm)

LC65Fx Dimensions	
Overall Height	14-5/16" (36.4cm)
Overall Width	8-1/2" (21.59cm)
Cutout Height	12-3/4" (32.4cm)
Cutout Width	7-1/4" (18.41cm)
Overall Depth	3-3/4" (9.53cm)
Mounting Depth	3-1/4" (8.26cm) with 1/2" of drywall

Available Finish: Paintable White



Overall Depth
3-3/4" (9.53cm)



Cutout Height
12-3/4" (32.4cm)

Cutout Width
7-1/4" (18.41cm)

Mounting Depth
(Assumes 1/2" [12.7mm] drywall)
3-1/4" (8.26cm)

WIRE RECOMMENDATIONS

Runs	Gauge
Lengths up to 25'	18 or 16
Lengths greater than 25' but less than 50'	16 or 14
Lengths greater than 50' but less than 75'	14 or 12
Lengths greater than 75'	12

SPEAKER PLACEMENT

Polk Audio LC_{FX} Surround Loudspeakers give you nearly endless placement options. But remember that where you place your surround speakers requires some careful thought, as installation requires that you cut a hole in your wall or ceiling

Left/Right Orientation: LC_{FX} Surround Speakers have a left/right orientation, and each speaker is clearly marked on its baffle for installation on either the right or left. Right and left are defined from your listening area as you face your system's center channel.

Directing the Driver (LC80_{FX})

The fixed 15° angled driver in the LC80_{FX} allows you to direct the midrange towards your listening area when used for front stage (left-center-right). When used as rear surrounds or as 6.1 or 7.1 back speakers, direct the driver towards the listening area for a more direct sound field or toward a wall for a more diffuse sound field

IMAGING

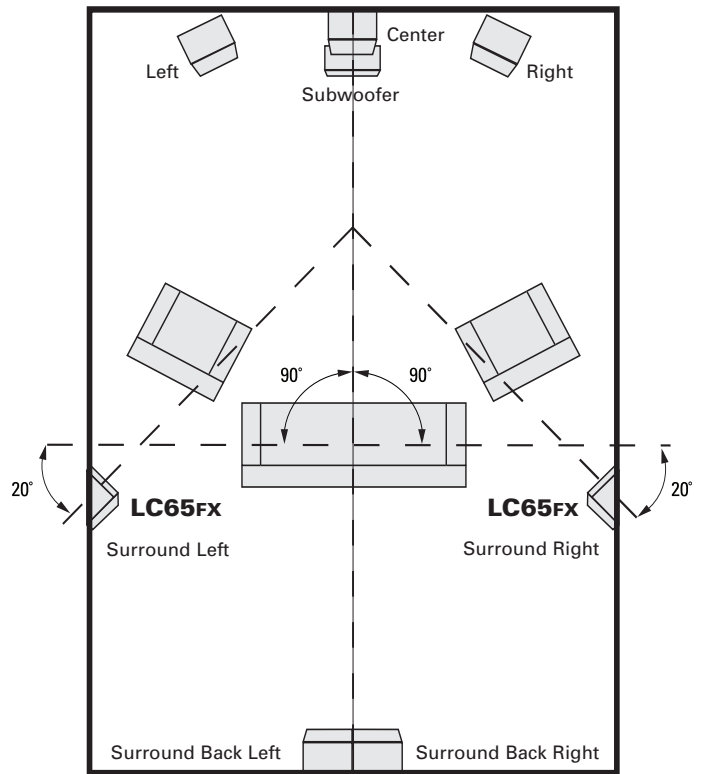
Solid/Diffuse Switch (LC65_{FX}/LC80_{FX})

LC_{FX} Surround Loudspeakers offer switchable "Solid" and "Diffuse" imaging patterns to create the surround effect you desire.

A "Diffuse" image is defined as one which creates a "cloud" of sound; think of the effect as ambient sounds which fill the environment all around you.

A "Solid" image is one which creates a more pin-point sound; sound is more directional and localized. Ultimately you are the best judge of what kind of surround imaging you prefer.

The schematic drawing of the room represents an ideal placement for all speakers in either a 6.1 or 7.1 speaker system.



SETTING RECOMMENDATIONS

LC65_{FX} In-wall Surround Location

Surround speakers located close, straight to the sides of your listening area, and approximately six feet off the floor

Surround speakers located behind your listening area and approximately six feet off the floor

LC80_{FX} In-ceiling Surround Location

Surround speakers located straight to the sides of your listening area.

Surround speakers located behind your listening area

Image Setting Recommendation

Diffuse

Solid

Diffuse

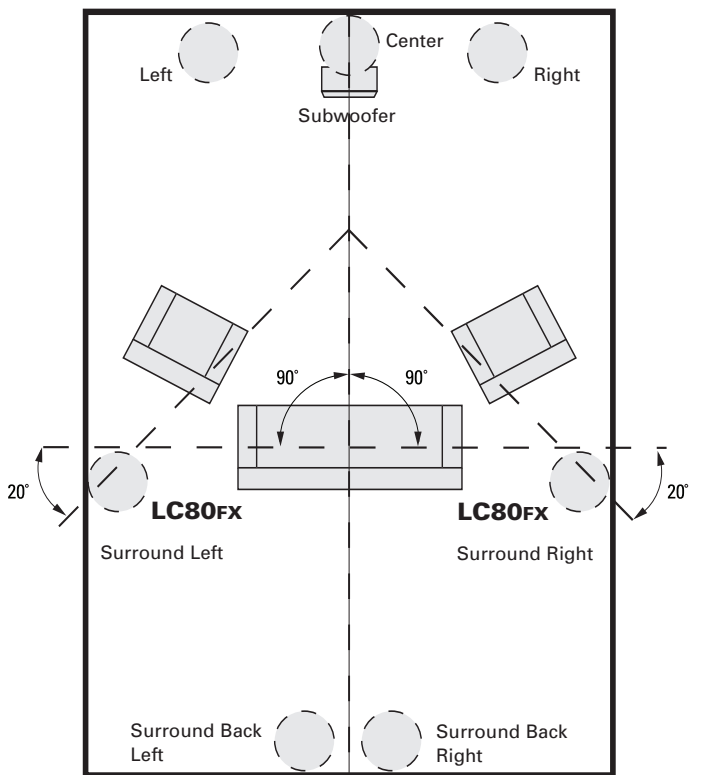
Solid

ROOM ENVIRONMENT CONTROL

Wall Distance Switch

In-wall and in-ceiling loudspeakers excel when placed more than 2' (60cm) from side walls. If position limitations demand that in-wall loudspeakers be installed closer than 2'(60cm) from side walls, the proximity of the surface can result in a response "bump" between 50 and 200Hz. This can cause in-wall speakers to sound "boomy." The Wall Distance Switch flattens response and tunes out "boominess" without sacrificing deep bass response, for more lifelike sound.

If placement is closer than 2' to a wall: Engage the Wall Distance Switch ("Wall Dist.") to match the <2' setting. Recommended speaker distance from side walls is 2 feet (60cm).



SPECIFICATIONS

LC80Fx

Product Weight: 4.0 lbs. (1.81kg)

PERFORMANCE

POWER HANDLING (WATTS/CHANNEL)	10-125W CONTINUOUS
IMPEDANCE (NOMINAL)	4 OHMS
FREQUENCY RESPONSE (OVERALL)	30HZ-27KHZ
EFFICIENCY (2.83V@1M)	88dB
SPEAKER WEIGHT	4.0 LBS (1.81KG)

DRIVER COMPLEMENT

MIDBASS	1-8" (20.32CM) POLYPROPYLENE DYNAMIC BALANCE™ DRIVER
TWEETER	2-3/4" (1.91CM) RING RADIATOR TWEETERS

CONNECTIONS

SPEAKER WIRE	
MAXIMUM WIRE SIZE ACCOMMODATED	12 AWG
MINIMUM RECOMMENDED	18 AWG
INPUT CONNECTORS	HEAVY-DUTY SPRING LOADED PUSH TERMINALS

Web Address:

For more information on the LC80Fx, log onto www.polkaudio.com/downloads/manuals/home/LC80FX_manual.pdf

SPECIFICATIONS

LC65Fx

Product Weight: 4.35 lbs. (1.97kg)

PERFORMANCE

POWER HANDLING (WATTS/CHANNEL)	10-125W CONTINUOUS
IMPEDANCE (NOMINAL)	4 OHMS
FREQUENCY RESPONSE (OVERALL)	30HZ-27KHZ
EFFICIENCY (2.83V@1M)	88dB
SPEAKER WEIGHT	4.35 LBS (1.97KG)

DRIVER COMPLEMENT

MIDBASS	1-6 1/2" (16.51CM) AERATED POLYPROPYLENE DYNAMIC BALANCE™ DRIVER
TWEETER	2-3/4" (1.91CM) RING RADIATOR TWEETERS

CONNECTIONS

SPEAKER WIRE	
MAXIMUM WIRE SIZE ACCOMMODATED	12 AWG
MINIMUM RECOMMENDED	18 AWG
INPUT CONNECTORS	HEAVY-DUTY SPRING LOADED PUSH TERMINALS

Web Address:

For more information on the LC65Fx, log onto www.polkaudio.com/downloads/manuals/home/LC65FX_manual.pdf

If you have questions, please contact your Authorized Polk Audio Dealer or Customer Service at 1-800-377-7655 Monday through Friday 9am-6pm EST.